

ULTRABLADE PRO SURFACE MOUNT EXIT



Surface Mounted Architectural Blade Exit

The sophisticated look and design of the Ultrablade Pro Surface Mount Exit will satisfy all architectural requirements for a premium surface mounted exit.

With a reduced reflection, halo effect on the diffuser with a decal that is scratch and fingerprint resistant, it is no wonder the Ultrablade Pro is the industry standard for an architectural blade exit.

Applications



TRADE
SERIES
THE TRADES CHOICE

LP LITHIUM IRON PHOSPHATE
PREMIUM
PREMIUM PROJECT PERFORMANCE

L10 LITHIUM NANOPHOSPHATE®
OPTIMUM
NOTHING ELSE COMPETES WITH NANOPHOSPHATE®



Features and Benefits

- AS/NZS 2293.3 compliant
- Low 1.4W to 1.8W standby power consumption
- Wall and ceiling mount
- All directional decals in one box
- Lithium Iron Phosphate or Nanophosphate® battery
- Clevertest Plus System compatible
- Theatre version available



ULTRABLADE PRO SURFACE MOUNT EXIT

ORDERING INFORMATION		TS	LP	L10
TEST OPTIONS / PART #	Standard	EUBPRO-SM-LI	CUBPRO-SM	LUBPRO-SM
	Clevertest Plus System Compatible	No	Yes	
	Wall Mount Flag Style	-	CUBPRO-SM-V	LUBPRO-SM-V
	DALI	-	CUBPRO-SM-DALI	LUBPRO-SM-DALI
	Zoneworks® XT Hive	-	CUBPRO-SM-HV	LUBPRO-SM-HV
	Theatre Version	No	CUBPRO-SM-TH	LUBPRO-SM-TH
Carton Quantity	5			
Weight - Single (Carton)	1.0kg (5kg)			
Dimensions (L x W x H)	317mm x 8.7mm x 157mm - Blade Assembly 360mm x 47mm x 72mm - Base			
Directional Options	All Directional Inserts Included (Excluding Theatre Versions)			
Directional Options (Theatre Only)	-	Add Suffix to Part Number, -DS Double Sided, -R Pictograph, L (Left) or R (Right) ie. CUBPRO-SM-TH-DS-R		

POWER, LAMPS AND BATTERY	TS	LP	L10
Power Consumption (Standby / Max)	1.8W / 2.8W	1.4W / 3.7W	
Lamp(s)	50,000 Hour LED	100,000 Hour LED	
Battery	Lithium Iron Phosphate		Lithium Nanophosphate®
Voltage (V) / Capacity (mAh)	3.2V / 1100mAh		3.3V / 2500mAh
Charging Method	Intelligent Current Limited Constant Voltage		

TECHNICAL SPECIFICATIONS	
Operating Mode	Maintained
Voltage (V) Frequency (Hz)	220-240V (50Hz)
Construction - Body / Diffuser	PC-ABS / PC
Viewing Distance	24m
Mounting Type	Single & Double Sided, Surface Mount Ceiling (Rod Suspended)
Operating Temperature	1°C to 40°C
IP Rating (IP)	IP20

ACCESSORIES	
Cantilever Bracket	CLVRBRT-UBPRO
Cantilever Bracket (Black)	CLVRBRT-UBPRO-BLK

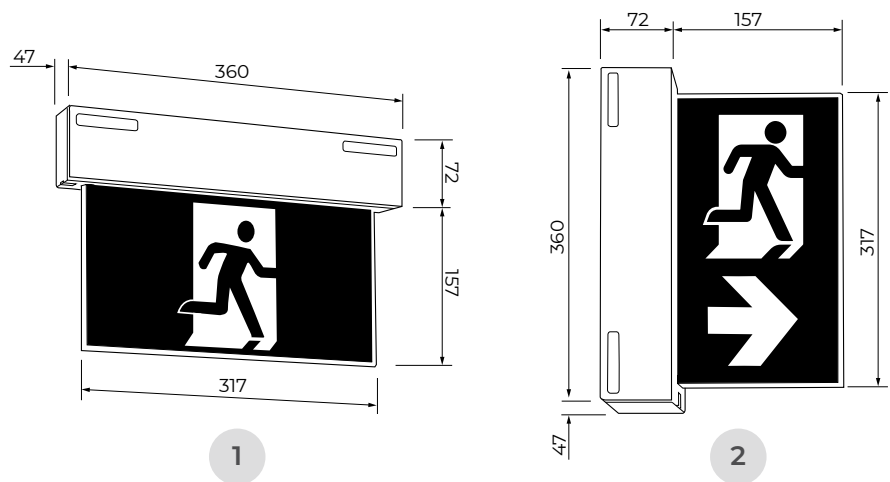
CLASSIFICATION	TS	LP	L10
C0	E6.3	E6.3	E6.3
C90	E6.3	E6.3	E6.3
C0 - Flag Style	-	E1	B1
C90 - Flag Style	-	E1	B1

SPACING TABLE AND MOUNTING HEIGHTS – AS/NZS 2293.1:2018 (MINIMUM LIGHT LEVEL OF 0.2 LUX)									
Classification	2.1m	2.4m	2.7m	3.0m	3.3m	3.6m	4.0m	4.5m	5.0m
B1	2.4	0.0	0.0	0.0	-	-	-	-	-
E6.3	6.9	7.4	7.9	8.2	8.5	8.8	9.1	9.2	9.3
E1	3.7	0.0	0.0	0.0	-	-	-	-	-

For 1 lux and AS/NZS 2293.1:2005 spacing tables please visit:
<https://clevertronics.com.au/spacing-tables/>

Based on minimum light level of 0.2 lux.
Maximum allowed mounting height is 2.7m but for exceptions see AS/NZS 2293.1.
Spacing classifications do not apply for theatre versions.

*Warranty information located at:
<https://clevertronics.com.au/warranty-statement/>



Product Configuration:

- 1 Surface Mount
- 2 Surface Mount (Wall Mount Flag Style)

clevertronics.co.nz
clevertronics.com.au

1 Caribbean Drive, Scoresby VIC 3179
P +61 3 9559 2700 F +61 3 9559 2799 E info@clevertronics.com.au

Clevertronics is committed to continuously improving its products.
All features and specifications are subject to change without prior notice.
_PRODUCT SHEETS – ANZ Ultrablade Pro Surface Mount 04OCT22

